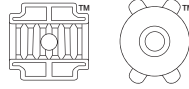


GENIECLIP[®] MOUNT

RESILIENT SOUND ISOLATION CLIP FOR HEAVY MOUNTING



PATENTS: US 7,895,803 US 9,121,469 CA 2,552,516 AU 2,007,276,677 CN ZL200780034674.1 SG 149,449 EPO Patent Pending

PRODUCT SPECIFICATION

PRODUCT NAME: GenieClip Mount

DESCRIPTION: A unibody molded rubber and steel bracket used when objects, such as TVs, kitchen cabinets, head boards, or garage door openers, are installed on walls or ceilings of multifamily, schools, hospitals, and other commercial buildings.

APPLICATION: Used to acoustically isolate wall or ceiling mounted objects.

FEATURES AND BENEFITS:

- Significantly improves low and high frequency sound control performance
- Substantially reduces impact noise by objects mounted on walls and ceilings
- Easily fastens to standard 6" metal stud track
- Qualifies for LEED[®] points

DIMENSION: 1 5/8" width, 6 1/4" height, 1 1/2" depth (nom. 41 mm width, 159 mm height, 38 mm depth)

BRACKET WEIGHT: 0.4 lb (186 grams)

BRACKET/BOX: 50

LEAD TIME: 2 weeks after receipt of order

TECHNICAL DATA

MAXIMUM DESIGN LOAD: 200 lb (91 kg) per clip (Shear)
100 lb (45 kg) per clip (Tension / Pullout)

TYPE A HARDNESS (ASTM D2240): 40 durometer (+/- 5)

LABORATORY SOUND TRANSMISSION CLASS (ASTM E90): Shall not effect performance of previously isolated wall by more than 1 dB in any 1/3 octave or by more than 1 STC point (Test report E2160.01-113-11)

For Your Project Specific Questions
T. 416.449.0049 | E. info@pliteq.com

© Pliteq Inc. 2019.

06.19 [®]Trademarks of Pliteq Inc. The information provided is accurate to the best of our knowledge at the time of issue. However, we reserve the right to make changes when necessary without further notification. Suggested application may need to be modified to conform with local building codes and conditions. We cannot accept responsibility for products that are not used, or installed, to our specifications. All listed dimensions are nominal.



www.pliteq.com

GENIECLIP[®] MOUNT

RESILIENT SOUND ISOLATION CLIP FOR HEAVY MOUNTING



PATENTS: US 7,895,803 US 9,121,469 CA 2,552,516 AU 2,007,276,677 CN ZL200780034674.1 SG 149,449 EPO Patent Pending

TECHNICAL DATA CONTINUED

STRUCTURE-BORNE VIBRATION REDUCTION:

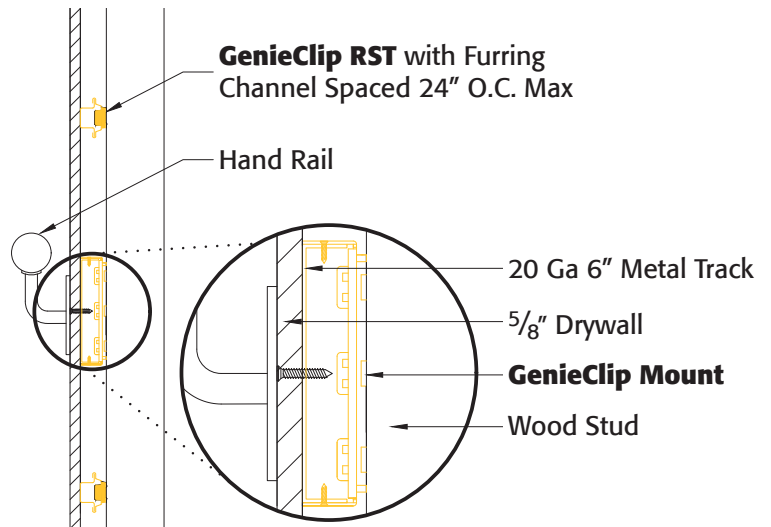
Shall provide test data from an accredited independent laboratory documenting average reduction of the re-radiated structure-borne noise of 22 dB between 125 Hz and 4000 Hz (Test report E2160.01-113-11)

TEMPERATURE STABILITY:

-40°F to +240°F (-40°C to +115°C)



GenieClip Mount Installed in Conjunction with GenieClip RST



CONTACT US

For Your Project Specific Questions
T. 416.449.0049 | **E.** info@pliteq.com

© Pliteq Inc. 2019.

®™ Trademarks of Pliteq Inc. The information provided is accurate to the best of our knowledge at the time of issue. However, we reserve the right to make changes when necessary without further notification. Suggested application may need to be modified to conform with local building codes and conditions. We cannot accept responsibility for products that are not used, or installed, to our specifications. All listed dimensions are nominal.



www.pliteq.com



AROUND THE WORLD.

CONTACT US

PLITEQ NORTH AMERICA

131 Royal Group Crescent
Vaughan, ON
L4H 1X9 Canada

T. + 1 416 449 0049

info@pliteq.com
www.pliteq.com

PLITEQ UK

Irongate House
22-30 Dukes Place
London
EC3A 7LP

T. + 44 203 9846444

info@pliteq.co.uk
www.pliteq.co.uk

PLITEQ MIDDLE EAST

European Business Centre
Dubai Investment Park
PO Box 473 512
Dubai, UAE

T: +971 4 567 4944

info@pliteq.ae
www.pliteq.ae

PLITEQ ASIA PACIFIC

101 Cecil Street #19-13
Tong Eng Building Singapore
069533

T. +65 8452 6865

info@pliteq.sg
www.pliteq.sg



© Pliteq Inc.

®™ Trademarks of Pliteq Inc. The information provided is accurate to the best of our knowledge at the time of issue. However, we reserve the right to make changes when necessary without further notification. Suggested application may need to be modified to conform with local building codes and conditions. We cannot accept responsibility for products that are not used, or installed, to our specifications. All listed dimensions are nominal.